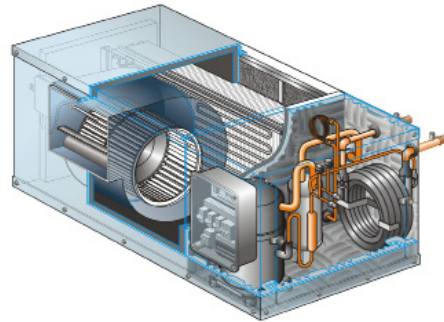


Model WS-102

TECHNICAL DATA

Cooling Capacity ¹	Btu/h	101200
	Watt	29643
Heating Capacity ²	Btu/h	119400
	Watt	34974
Power Consumption - Cooling / Heating	Watt	8161/9303
C.O.P - Cooling / Heating		3.63/3.76
Operating Current - Cooling / Heating ³	Amp	17.0/17.3
Power Supply	V/Ph/Hz	400V, 3Ph, 50Hz
Time Delay Fuse	Amp	3x25-C



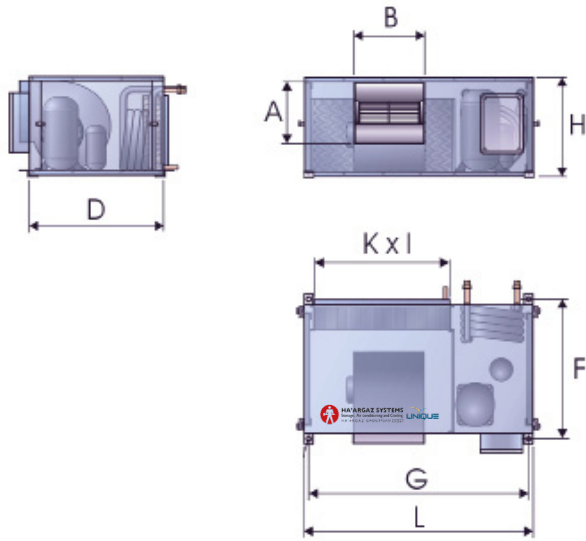
GENERAL			
Air flow (at high speed)	cfm (m ³ /h)		3200 (5440)
High Fan Speed (No. Speeds)	R.P.M		900 (3)
Noise Level ⁴	dBA		56
Net Static Pressure ⁵	mm H ₂ O		5
Coil	Face Area	ft ² /m ²	6.34/0.59
	Rows Deep		4
	Fins Spacing	Per Inch	12

DIMENSIONS			
Model		Horizontal	Vertical
LxDxH	mm	1720x750x610	1300x750x1200
A, B, G, F	mm	345, 400, 1675, 806	345, 400, - , -
Return Air Duct - K,I	mm		1020,570
Condensate Lines - Drain	Φ-mm (in)		22.2 (7/8")
Water Inlet/Outlet	Φ in		BSP 1-1/4"
Net Weight	kg	195	213

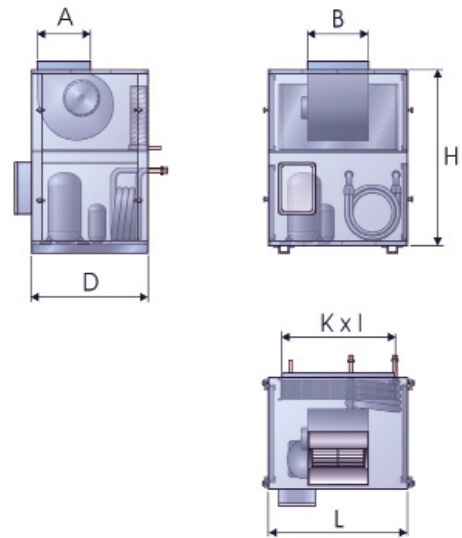
- NOTES:
1. Nominal cooling capacity based on indoor air temp. 27°C DB/19°C WB and entering water temp. 29°C.
 2. Nominal heating capacity based on indoor air temp. 21°C DB and entering water temp. 20°C.
 3. Operating current at heat pump mode, excluding electric heating elements.
 4. Noise level refers to a ducted unit at a distance of 1.5m from the unit.
 5. Net static pressure available at fan discharge at nominal capacity.



HORIZONTAL UNIT



VERTICAL UNIT



PERFORMANCE

COOLING PERFORMANCE								
Entering Water Temp.		Water Flow Rate		Water Pressure Drop	Colling Capacity ¹		Power Consumption	COP
°C	°F	m ³ /h	gpm	m H ₂ O	Watt	Btu/h	Watt	
29	85	4.3	18.8	2.4	29198	99682	8062	3.62
		5.4	23.5	2.6	29643	101200	8161	3.63
		6.4	28.3	3.1	30087	102718	8252	3.65
32	90	4.3	18.8	2.4	27738	94698	8512	3.26
		5.4	23.5	2.6	28161	96140	8617	3.27
		6.4	28.3	3.1	28583	97582	8714	3.28
35	95	4.3	18.8	2.4	27037	92306	5971	4.53
		5.4	23.5	2.6	27449	93711	9073	3.03
		6.4	28.3	3.1	27861	95117	9175	3.04

HEATING PERFORMANCE								
Entering Water Temp.		Water Flow Rate		Water Pressure Drop	Heating Capacity ¹		Power Consumption	COP
°C	°F	m ³ /h	gpm	m H ₂ O	Watt	Btu/h	Watt	
12	54	4.3	18.8	2.4	30161	102971	8350	3.61
		5.4	23.5	2.6	30777	105072	8429	3.65
16	61	4.3	18.8	2.4	32218	109991	8774	3.67
		5.4	23.5	2.6	32875	112236	8866	3.71
20	68	4.3	18.8	2.4	34274	117012	9216	3.72
		5.4	23.5	2.6	34974	119400	9303	3.76
24	75	4.3	18.8	2.4	35988	122863	9562	3.76
		5.4	23.5	2.6	36722	125370	9653	3.80

NOTES: 1. Air inlet Temperature - Cooling 27°C DB/19°C WB, Heating 21°C DB.

