

## AHU-L 7 SQ

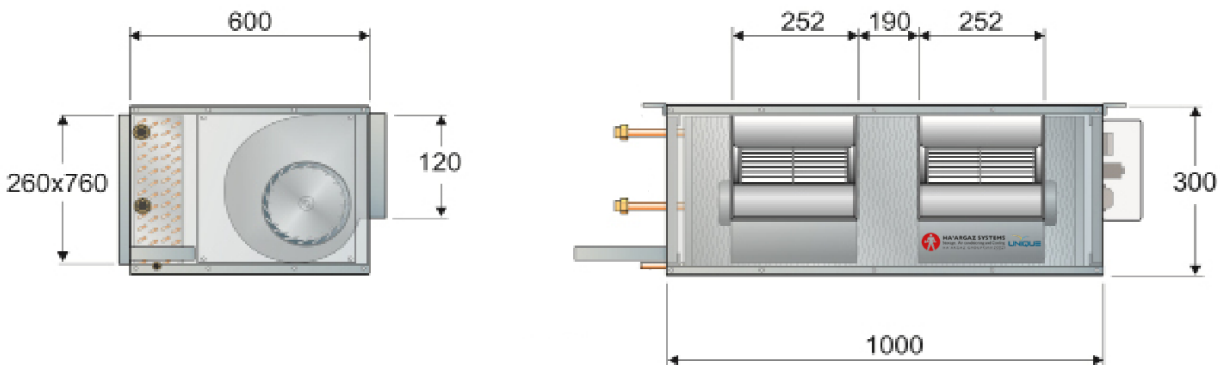
### TECHNICAL DATA

Model		TYPE A	TYPE C
Air Flow (at high speed) <sup>1</sup>	cfm	700	700
	m <sup>3</sup> /h	1190	1190
Fan Type And Model		2x Centrifugal 7"x7"	Centrifugal 9"x9"
High Fan Speed	R.P.M	900	800
Number of Speeds		3	3
Noise Level – H / M / L <sup>2</sup>	dBA	36 / 33 / 27	35 / 32 / 26
Power		230V/50Hz/1Ph	230V/50Hz/1Ph
Current Consumed	Amp.	1.2	2.6
Weight	kg	37	35
Coil Face Area	m <sup>2</sup>	0.21	0.24
Fins Spacing	Per Inch	12 for 4-row coil, 10 for 6-row coil	

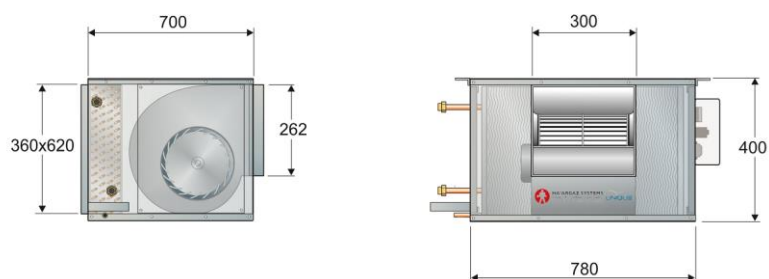
#### Notes:

1. Air Flow refers to 4 row coil and 6 mm H<sub>2</sub>O external pressure drop.
2. Noise level refers to a ducted unit at a distance of 1.5m from the unit.

### HORIZONTAL TYPE A



### HORIZONTAL TYPE C



Product specifications are subject to change without notice. Appearance of products may differ slightly from catalog images.

## Performance

Cooling Capacity for 4 Row Coil																	
AIR Entering Temperature		22.8°C DB 16.7°C WB				25°C DB 18.3°C WB				26.7°C DB 19.4°C WB				29.4°C DB 21.7°C WB			
EWT °C	WTR °C	CAP Watt	CAP Btu/h	WF m <sup>3</sup> /Hr	PD m H <sub>2</sub> O (A/C)*	CAP Watt	CAP Btu/h	WF m <sup>3</sup> /Hr	PD m H <sub>2</sub> O (A/C)*	CAP Watt	CAP Btu/h	WF m <sup>3</sup> /Hr	PD m H <sub>2</sub> O (A/C)*	CAP Watt	CAP Btu/h	WF m <sup>3</sup> /Hr	PD m H <sub>2</sub> O (A/C)*
	4.4	5967	20371	1.2	2.1/2.3	7095	24222	1.4	2.8/3.1	7894	26950	1.5	3.2/3.5	9593	32751	1.9	4.2/4.9
5.5	5.5	5683	19402	0.9	1.7/1.6	6757	23068	1.0	1.8/2.0	7518	25666	1.2	2.1/2.3	9136	31190	1.4	2.8/3.1
	6.7	5399	18432	0.7	1.1/1.2	6419	21914	0.8	1.4/1.6	7142	24383	0.9	1.6/1.7	8679	29630	1.1	2.1/2.3
	4.4	5210	17787	1.0	1.8/2.0	6281	21443	1.2	2.4/2.7	7137	24366	1.4	2.8/3.1	8836	30166	1.7	3.8/4.3
7.2	5.5	4962	16940	0.8	1.2/1.3	5982	20423	0.9	1.6/1.7	<b>6798</b>	<b>23208</b>	<b>1.0</b>	<b>2.0/2.2</b>	8416	28732	1.3	2.5/2.9
	6.7	4714	16094	0.6	0.9/1.1	5683	19402	0.7	1.2/1.3	6458	22048	0.8	1.4/1.6	7995	27295	1.0	1.8/2.0
	4.4	4411	15059	0.9	0.8/0.9	5546	18934	1.1	2.0/2.2	6338	21638	1.2	2.4/2.7	8044	27462	1.6	3.5/3.9
8.9	5.5	4201	14342	0.6	1.1/1.1	5282	18033	0.8	1.3/1.4	6036	20607	0.9	1.6/1.7	7660	26151	1.2	2.1/2.3
	6.7	3991	13625	0.5	0.9/0.9	5018	17131	0.7	1.0/1.1	5735	19579	0.7	1.2/1.3	7278	24847	0.9	1.6/1.7

Cooling Capacity for 6 Row Coil																	
AIR Entering Temperature		22.8°C DB 16.7°C WB				25°C DB 18.3°C WB				26.7°C DB 19.4°C WB				29.4°C DB 21.7°C WB			
EWT °C	WTR °C	CAP Watt	CAP Btu/h	WF m <sup>3</sup> /h	PD m H <sub>2</sub> O (A/C)*	CAP Watt	CAP Btu/h	WF m <sup>3</sup> /h	PD m H <sub>2</sub> O (A/C)*	CAP Watt	CAP Btu/h	WF m <sup>3</sup> /h	PD m H <sub>2</sub> O (A/C)*	CAP Watt	CAP Btu/h	WF m <sup>3</sup> /h	PD m H <sub>2</sub> O (A/C)*
	4.4	7639	26080	1.5	2.7/3.1	9082	31006	1.7	3.5/3.6	10106	34502	2.0	3.8/4.5	12281	41927	2.4	5.3/2.4
5.5	5.5	7275	24837	1.1	1.7/1.9	8650	29531	1.3	2.3/2.4	9624	32856	1.5	2.7/3.1	11696	39930	1.8	3.5/1.8
	6.7	6911	23594	0.9	1.3/1.4	8217	28053	1.1	1.5/1.9	9143	31214	1.2	1.8/2.1	11111	37933	1.4	2.3/1.4
	4.4	6670	22771	1.3	2.1/2.4	8041	27452	1.6	2.7/3.2	9137	31194	1.8	3.5/4.0	11312	38619	2.2	4.7/2.2
7.2	5.5	6353	21689	1.0	1.4/1.6	7658	26144	1.2	1.8/2.1	<b>8702</b>	<b>29709</b>	<b>1.3</b>	<b>2.3/2.6</b>	10773	36779	1.7	3.1/1.7
	6.7	6035	20603	0.8	1.1/1.2	7275	24837	0.9	1.4/1.6	8267	28224	1.1	1.7/1.9	10234	34939	1.3	2.1/1.3
	4.4	5647	19279	1.1	1.3/1.1	7100	24239	1.4	2.3/2.6	8114	27701	1.6	2.7/3.2	10297	35154	2.0	4.2/2.0
8.9	5.5	5378	18360	0.8	1.2/1.3	6762	23085	1.0	1.5/1.7	7728	26383	1.1	1.8/2.1	9807	33481	1.5	2.7/1.5
	6.7	5109	17442	0.7	0.9/1.1	6423	21928	0.8	1.2/1.3	7341	25062	1.0	1.4/1.6	9317	31808	1.2	1.8/1.2

Heating Capacity									
AIR Entering Temperature 21 °C		4 Row Coil							
EWT °C	WTD °C	CAP Watt	CAP Btu/h	WF m <sup>3</sup> /h	PD m H <sub>2</sub> O				
45	5	7271	24810	1.0	2.2				

Heating Capacity									
AIR Entering Temperature 21 °C		1 Row Coil				2 Row Coil			
EWT °C	WTD °C	CAP Watt	CAP Btu/h	WF m <sup>3</sup> /h	PD m H <sub>2</sub> O	CAP Watt	CAP Btu/h	WF m <sup>3</sup> /h	PD m H <sub>2</sub> O
70	20	5542	18910	0.4	1.0	10106	34480	0.7	1.9

\*Unit Configuration Type A/C

WTR - Water Temp. Rise WTD - Water Temp. Drop EWT - Entering Water Temp. CAP - Cooling Capacity PD - Pressure Drop WF - Water Flow

Product specifications are subject to change without notice. Appearance of products may differ slightly from catalog images.