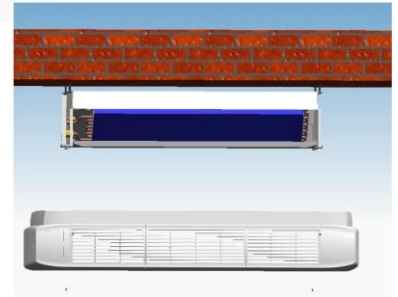
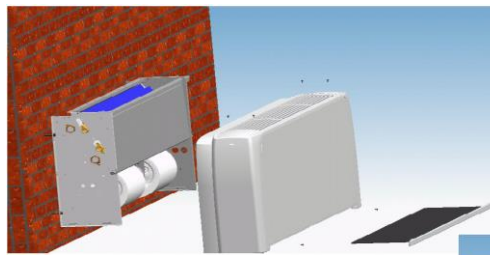
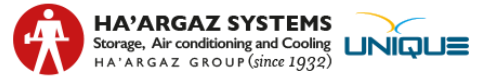


VERTICAL FAN COIL UNITS



- Concealed or Decorative Unit.
- Can be installed on 2 feet for floor mounting or can be mounted on wall and ceiling.
- Bottom air intake and Top air discharge.

TECHNICAL DATA:

2 PIPES					
MODEL			FC-V 04	FC-V 06	
Air Flow Rate	H	CFM (m³/h)	400 (680)	600 (1020)	
	M		320 (540)	475 (810)	
	L		235 (400)	360 (610)	
Cooling Capacity <sup>(1)</sup>	H	Btu/h (kW)	15,865 (4.65)	23,030 (6.75)	
	M		13,340 (3.91)	19,070 (5.59)	
	L		10,815 (3.17)	15,420 (4.52)	
Heating Capacity <sup>(2)</sup>	H	Btu/h (kW)	26,510 (7.77)	37,260 (10.92)	
	M		20,000 (5.86)	31,015 (9.09)	
	L		15,250 (4.47)	23,610 (6.92)	
Water flow rate – Cooling or Heating		m³/h	0.802	1.159	
Water pressure drop – Cooling or Heating		mH <sub>2</sub> O	3.00	3.05	
Number of Speeds			3	3	
Noise Level		H	dBA	41	45
Power			V/Hz/Ph	230V/50Hz/1Ph	
Power input		H	W	62	96
Drain pipe connection			mm	20	
Water connection - In/Out	Type			FPT	
	Diameter		inch	3/4"	
Decorative Unit Dimension		L, W, H	mm	1120, 230, 630	1320, 230, 630
Concealed Unit Dimension		L, W, H	mm	819, 220, 508	1019, 220, 508

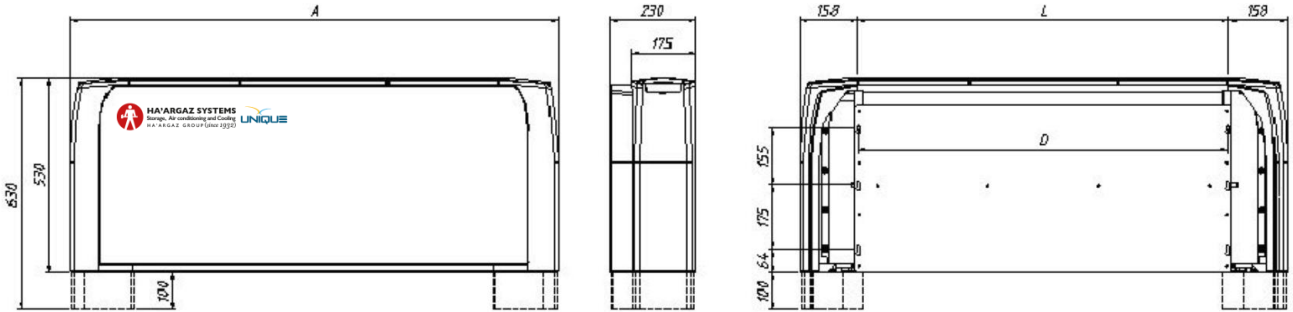
Notes:

1. Cooling capacity is under entering air 27 °C DB/19.5 °C WB, Chilled water inlet 7 °C and water temperature difference is 5 °C.
2. Heating capacity is under entering air 21 °C DB, Heated water inlet 60 °C. Water flow and air flow same as in cooling mode.

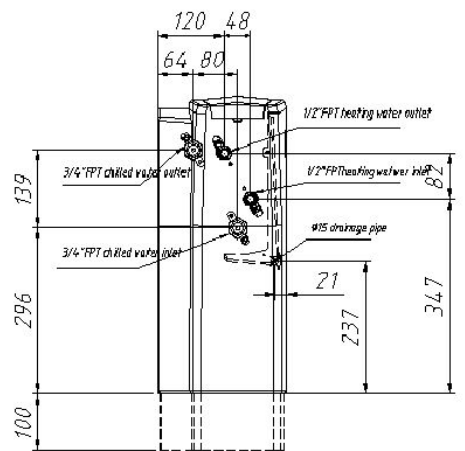
**DIMENSIONS:**



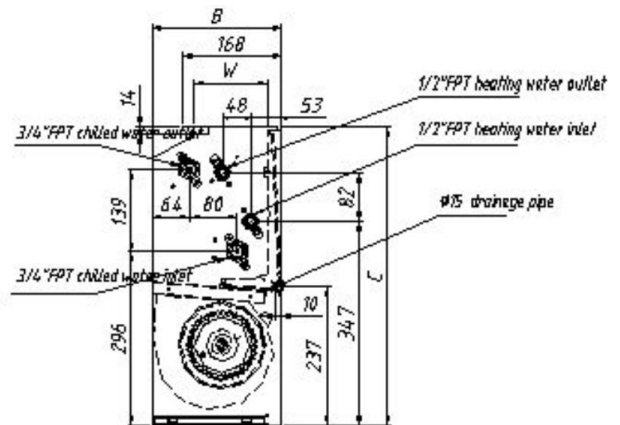
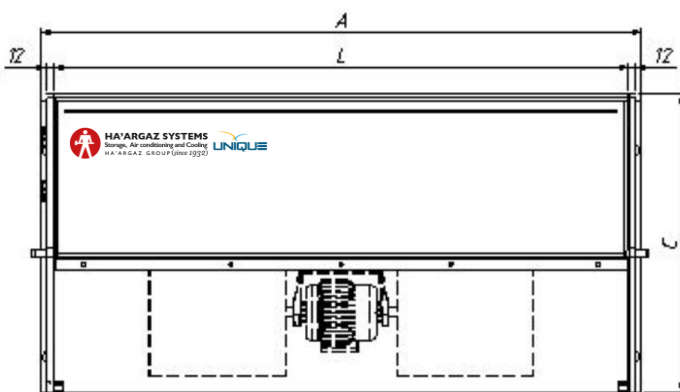
**Decorative FC-V 04, 06**



Decorative Model	FC-V 04	FC-V 06
Grill (L), mm	804	1004
Mounting holes (D), mm	799	999
Unit Dimensions (A,B,C), mm	1120, 230, 630	1320, 230, 630



**Concealed FC-V 04, 06**



Concealed Model	FC-V 04	FC-V 06
Grill (L,W), mm	775, 125	975, 125
Mounting holes (D), mm	799	999
Unit Dimensions (A,B,C), mm	819, 220, 508	1019, 220, 508

