

## Model FC-S 04, 06 (3+1)



**HA'ARGAZ SYSTEMS**  
Storage, Air conditioning and Cooling  
HA'ARGAZ GROUP (since 1932)



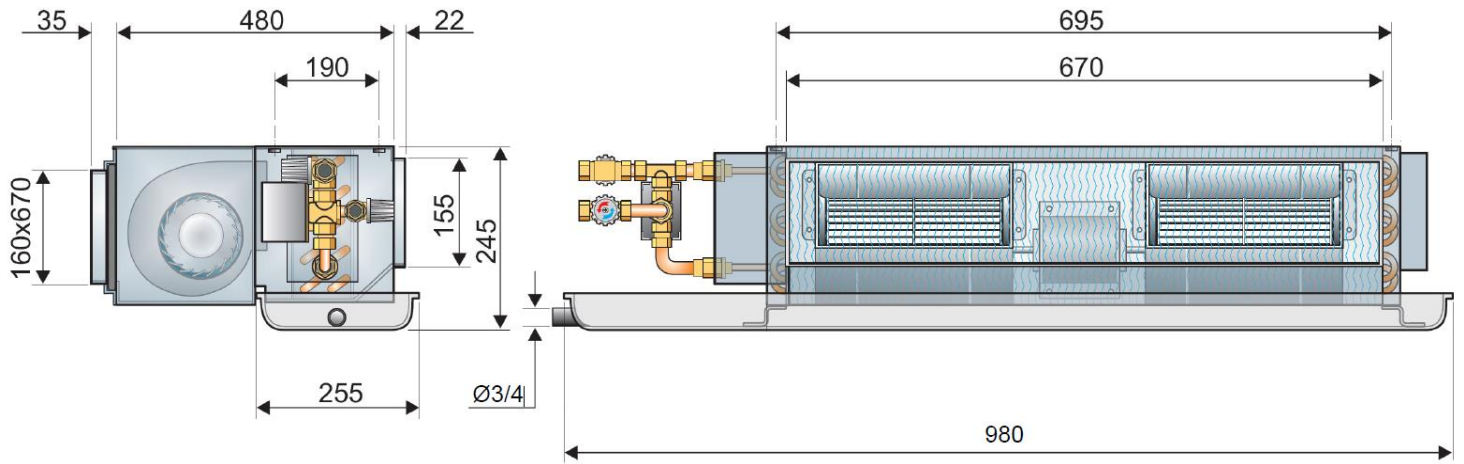
## Technical Data

4 Pipe System			
Model		FC-S 04 A (3+1)	FC-S 06 A (3+1)
Air Flow (at high speed) <sup>(1)</sup>	m <sup>3</sup> /h	680	1020
	cfm	400	600
Cooling Capacity (at high speed) <sup>(2)</sup> 3 Row Coil	Btu/h (kW)	13,650 (4.0)	20,130 (5.9)
Water Flow Rate - Cooling	m <sup>3</sup> /h	0.69	1.01
Water Pressure Drop - Cooling	m H <sub>2</sub> O	1.6	3.4
Heating Capacity (at high speed) <sup>(3)</sup> 1 Row Coil	Btu/h (kW)	12,180 (3.57)	14,230 (4.17)
Water Flow Rate – Heating	m <sup>3</sup> /h	0.31	0.36
Water Pressure Drop - Heating	m H <sub>2</sub> O	2.1	4.8
Fan Type And Model	mm	2x Centrifugal 145x190	2x Centrifugal 145x190
High Fan Speed	R.P.M	1180	1220
Number of Speeds		3	5
Noise Level <sup>(4)</sup>	dBA	42	44
Power		230V/50Hz/1Ph	230V/50Hz/1Ph
Current Consumed	Amp.	0.45	0.6
Weight	kg	21.5	26.5
Coil Face Area	m <sup>2</sup>	0.14	0.2
Fins Spacing	Per Inch	12	12

## Notes:

1. Air Flow refers to 4 row coil and 5 mm H<sub>2</sub>O external pressure drop.
2. Cooling capacity is under entering air 27 °C DB/19.5 °C WB, Chilled water inlet 7 °C and water temperature difference is 5 °C.
3. Heating capacity is under entering air 21 °C DB, Heated water inlet/outlet 60 °C/50 °C.
4. Noise level refers to a ducted unit at a distance of 1.5m from the unit.

FC-S 04 A



FC-S 06 A

