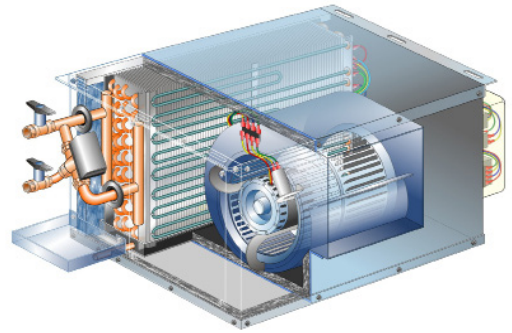


## Model AHU-L 20

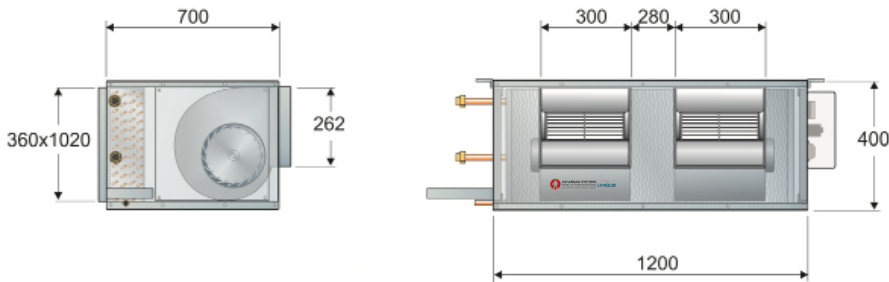
### TECHNICAL DATA

Model		TYPE A	TYPE C
Air Flow (at high speed) <sup>1</sup>	m <sup>3</sup> /h	3400	
	cfm	2000	
Fan Type And Model		2x Centrifugal 9"x9"	Centrifugal 10"x10"
High Fan Speed	R.P.M	900	900
Number of Speeds		3	3
Noise Level <sup>2</sup>	dBA	49	48
Power Supply	V/Ph/Hz	230V, 1Ph, 50Hz	
Current Consumption	Amp	2.2	3.6
Weight - Horizontal/Vertical	kg	59/61	57/59
Coil Face Area	m <sup>2</sup>	0.39	0.39
Fins Spacing	Per Inch	12 for 4-row coil, 10 for 6-row coil	

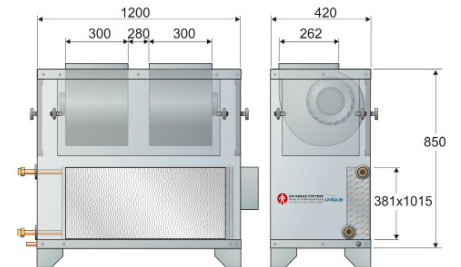


NOTES: 1. Air Flow refers to 4 row coil and 6 mm H<sub>2</sub>O external pressure drop.  
2. Noise level refers to a ducted unit at a distance of 1.5m from the unit.

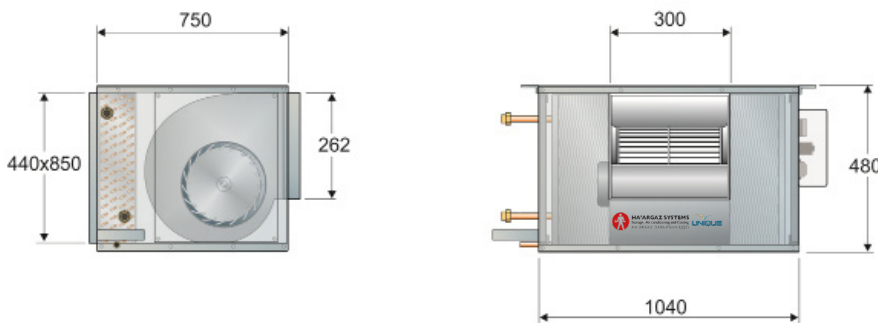
#### HORIZONTAL TYPE A



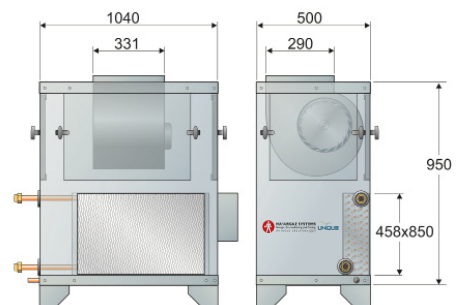
#### VERTICAL TYPE A



#### HORIZONTAL TYPE C



#### VERTICAL TYPE C





## PERFORMANCE

<b>COOLING CAPACITY FOR 4 ROW COIL</b>																	
AIR Entering Temperature		22.8°C DB 16.7°C WB				25°C DB 18.3°C WB				26.7°C DB 19.4°C WB				29.4°C DB 21.7°C WB			
EWT °C	WTR °C	CAP Watt	CAP Btu/h	WF m³/h	PD m H <sub>2</sub> O (A/C)*	CAP Watt	CAP Btu/h	WF m³/h	PD m H <sub>2</sub> O (A/C)*	CAP Watt	CAP Btu/h	WF m³/h	PD m H <sub>2</sub> O (A/C)*	CAP Watt	CAP Btu/h	WF m³/h	PD m H <sub>2</sub> O (A/C)*
5.5	4.4	14917	50927	2.9	3.5/3.3	17737	60554	3.4	4.2/4.0	19735	67375	3.8	5.2/5.0	23982	81875	4.7	6.7/6.5
	5.5	14207	48503	2.2	2.0/2.0	16892	57669	2.6	2.8/2.7	18795	64166	2.9	3.4/3.3	22840	77976	3.5	4.5/4.3
	6.7	13497	46079	1.7	1.6/1.5	16047	54784	2.1	1.9/1.9	17856	60960	2.3	2.3/2.2	21698	74077	2.8	3.0/2.9
7.2	4.4	13026	44471	2.5	2.7/2.6	15702	53607	3.0	3.4/3.3	26634	90928	3.5	4.2/4.0	22090	75415	4.3	6.1/6.0
	5.5	12406	42354	1.9	1.9/1.7	14955	51056	2.3	2.3/2.2	16994	58018	2.6	2.9/2.7	21039	71827	3.3	3.8/3.7
	6.7	11785	40234	1.5	1.4/1.3	14207	48503	1.8	1.6/1.6	16144	55116	2.1	2.0/1.9	19987	68236	2.6	2.6/2.5
8.9	4.4	11027	37646	2.1	1.1/1.0	13864	47332	2.7	3.1/2.9	15845	54095	3.1	3.5/3.3	20110	68656	3.9	5.2/5.0
	5.5	10502	35854	1.6	1.4/1.4	13204	45078	2.0	1.9/1.9	15091	51521	2.3	2.3/2.2	19152	65385	3.0	3.3/3.3
	6.7	9977	34061	1.3	1.0/1.0	12544	42825	1.6	1.5/1.4	14336	48943	1.9	1.6/1.6	18195	62118	2.3	2.3/2.2

<b>COOLING CAPACITY FOR 6 ROW COIL</b>																	
AIR Entering Temperature		22.8°C DB 16.7°C WB				25°C DB 18.3°C WB				26.7°C DB 19.4°C WB				29.4°C DB 21.7°C WB			
EWT °C	WTR °C	CAP Watt	CAP Btu/h	WF m³/h	PD m H <sub>2</sub> O (A/C)*	CAP Watt	CAP Btu/h	WF m³/h	PD m H <sub>2</sub> O (A/C)*	CAP Watt	CAP Btu/h	WF m³/h	PD m H <sub>2</sub> O (A/C)*	CAP Watt	CAP Btu/h	WF m³/h	PD m H <sub>2</sub> O (A/C)*
5.5	4.4	18055	61640	3.5	2.7/2.5	21468	73292	4.2	3.4/3.2	23886	81547	4.6	4.0/3.8	29026	99095	5.6	5.6/5.4
	5.5	17195	58704	2.7	1.7/1.7	20445	69799	3.2	2.2/2.1	22749	77665	3.5	2.7/2.5	27644	94377	4.3	3.3/3.2
	6.7	16336	55771	2.1	1.4/1.3	19423	66310	2.5	1.6/1.5	21611	73780	2.8	2.0/1.9	26262	89658	3.4	2.5/2.4
7.2	4.4	15766	53825	3.1	2.2/2.1	19005	64883	3.7	2.9/2.7	21597	73732	4.2	3.3/3.2	26737	91280	5.2	5.0/4.9
	5.5	15015	51261	2.3	1.5/1.4	18100	61793	2.8	2.0/1.9	20569	70223	3.2	2.4/2.3	25464	86934	3.9	3.1/3.1
	6.7	14264	48697	1.8	1.3/1.2	17195	58704	2.2	1.4/1.4	19540	66710	2.5	1.6/1.5	24191	82588	3.1	2.2/2.1
8.9	4.4	13347	45567	2.6	1.3/1.1	16781	57290	3.2	2.5/2.3	19178	65474	3.7	2.9/2.7	24340	83097	4.7	4.2/4.0
	5.5	12712	43399	2.0	1.2/1.2	15982	54563	2.5	1.6/1.5	18265	62357	2.7	2.0/1.9	23181	79140	3.6	2.8/2.6
	6.7	12076	41227	1.6	1.1/1.1	15183	51835	2.0	1.3/1.2	17352	59240	2.2	1.4/1.4	22022	75183	2.8	2.0/1.9

<b>FRESH AIR COOLING CAPACITY - 6 ROW STANDARD COIL</b>																	
AIR Entering Temperature		35°C DB, 26°C WB															
EWT °C	WTR °C	CAP Watt				CAP Btu/h				WF m³/h				PD m H <sub>2</sub> O			
7.2	9.8	33594				114624				3.0				2.7			

<b>HEATING CAPACITY</b>													
		4 Row Coil				1 Row Coil				2 Row Coil			
AIR Entering Temperature		21 °C				21 °C				21 °C			
EWT °C	WTD °C	CAP Watt	CAP Btu/h	WF m³/h	PD m H <sub>2</sub> O	CAP Watt	CAP Btu/h	WF m³/h	PD m H <sub>2</sub> O	CAP Watt	CAP Btu/h	WF m³/h	PD m H <sub>2</sub> O
45	5	17781	60670	2.6	2.1								
70	20					12814	43720	0.8	2.1	24244	82720	1.6	2.9

\*Unit Configuration Type A/C

EWT - Entering Water Temp. | WTR - Water Temp. Rise | WTD - Water Temp. Drop | CAP-Cooling/Heating Capacity | PD - Water Pressure Drop | WF - Water Flow Rate

